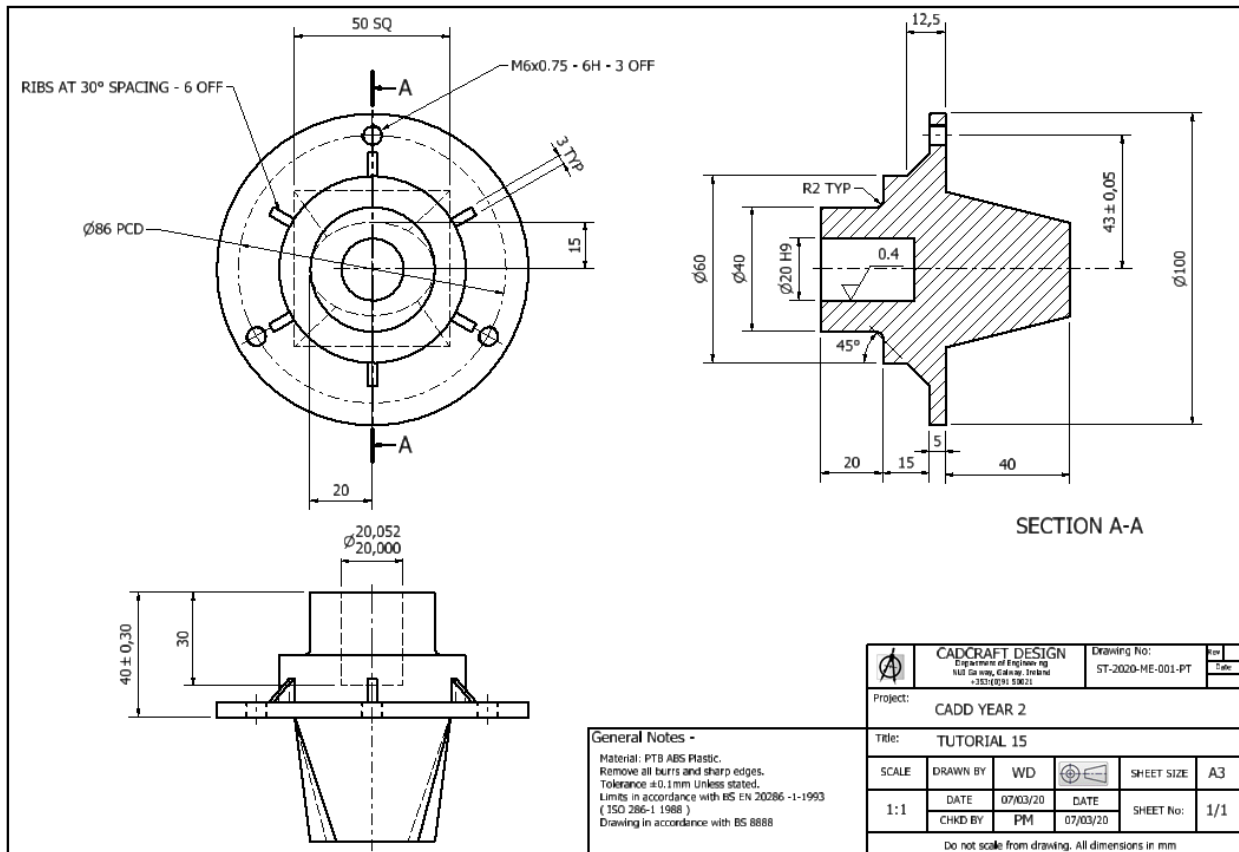


TUTORIAL 12



- Produce a model of the above part.
- Save the model as Tutorial 12.ipt for handing in.
- Save the part file for use in Assignment 5.